

Water Heaters and you

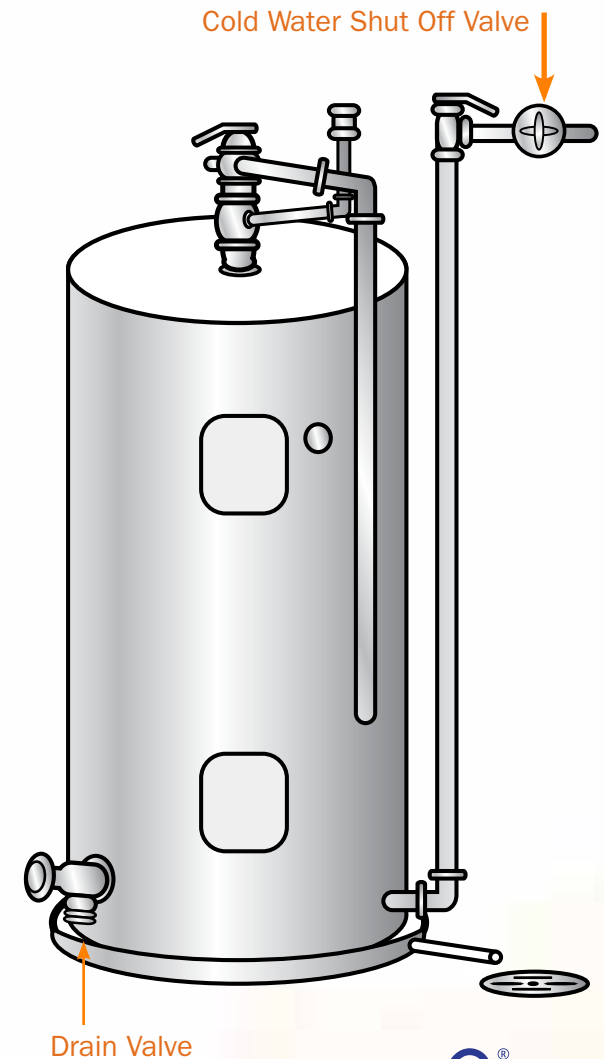
Water Heater Flushing

powered by me.



To help ensure that your NB Power residential water heater works at optimal performance for you and your family, yearly tank flushing is recommended. Tank flushing can help minimize sediment accumulation. In order to carry out this task, please follow these steps:

1. **Using caution**, turn off electricity to water heater.
2. Close cold water supply to water heater using the shut off valve; see diagram.
3. Attach one end of a garden hose to the drain valve located at the bottom of the water heater; see diagram. Direct the other end towards a drain to safely discard water from water heater.
4. Open drain valve. **Caution must be used as water coming out of the hose will be hot.**
5. Turn on the hot water tap which is closest to the water heater. This will allow the water from the water heater to drain completely.
6. Open the cold water supply to water heater for 10-30 seconds using the shut off valve, then close the cold water supply. This will stir up any remaining sediment in the bottom of the tank. Allow the tank to drain again. Repeat until the water runs clear from the hose.
7. Close the drain valve and open the cold water supply allowing the tank to refill.
8. Remove the hose from the drain valve.
9. Once the water flows free of air from the hot water tap, you may turn off the tap as your water heater is now full.
10. Turn the electricity back on to the water heater. It will take three to four hours to completely reheat your water.



Énergie NB Power

1-800-663-6272 • www.nbpower.com

Please Note:

In the event that you have carried out the above steps and are experiencing some water quality issues, or if you have any safety concerns, please contact us at 1-800-663-6272.

